

NSK Linear Guides™

Roller Guide RA Series

A roller guide series employing advanced analysis technology offers super-high load capacity and rigidity.

The latest series is now available in the random matching of rails and roller slides, which includes random matching with preload for higher accuracy and rigidity, allowing the users to select rails and roller slides in single unit quantities.



The fruits of comprehensive technology of NSK. RA series roller guides handle a diversity of applications

The RA series of roller guides is the product of a combination of NSK's extensive experience in roller bearings and linear guide technologies. The result is an optimal design that takes full advantage of NSK's unique expertise to realize super-high load capacity, rigidity and motion accuracy, plus smooth motion. Capable of handling a variety of applications, the RA series supports high machine performance.

RA series features support high machine performance

Super-long Life

Super-high load capacity

NSK has realized super-high load capacity, now the highest performance in the world, and achieved unprecedented operating life.

Maintenance-free

Installing an NSK K1™ lubrication unit assures long-term, maintenance-free operation.

Highly dust-proof

The high performance seals as standard equipment completely block the entry of foreign matter and maintain primary performance over the long term.

Contribution to High-precision Manufacturing

Super-high rigidity

Super-high rigidity provides high-precision manufacturing.

Super-high motion accuracy

Coupled with NSK's unique design approach, the vibration caused by roller passage has been substantially reduced. This will greatly contribute to improve machining quality.

Smooth motion

The installation of a retaining piece achieves smooth motion, resulting in stable positioning accuracy.

The RA series is available in eight models:
RA15, 20, 25, 30, 35, 45, 55 and 65.

Used in Many Fields

Complete series

Series includes a full lineup from small to large, including low-profile sizes. You can choose the model according to the application.

Interchangeable mounting dimensions

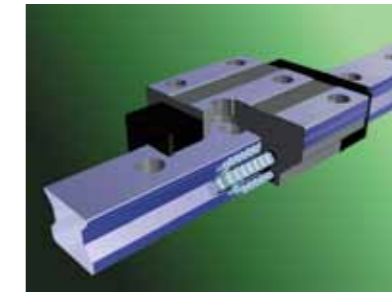
Outside dimensions and mounting dimensions conform to standard dimensions for the market, so RA series roller guides can be used without having to alter machine design. (See page 13 for mounting surface dimensions)

Low friction

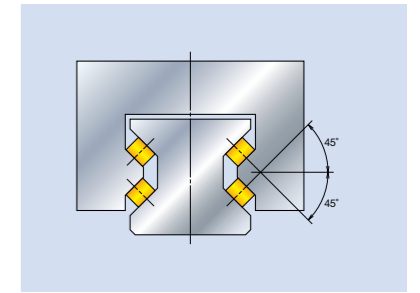
Uses rollers for rolling elements to hold down dynamic friction.

Optimal Design

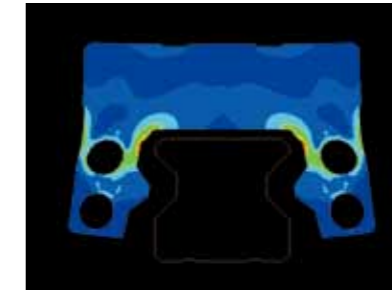
NSK executed a comprehensive, detailed performance simulation of roller guides by integrating its analysis technology and the tribology technology that the company had been developing over many years. Down to the dimensions and shapes of component details, we have attained an optimal design completely.



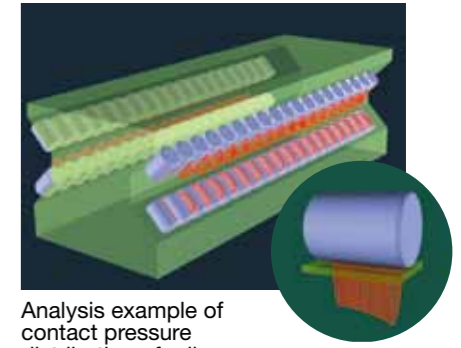
Smooth motion by use of retaining pieces



Balanced four-directional iso-load specifications



Example of roller slide deformation analysis



Analysis example of contact pressure distribution of rollers



Random-matching Type

RA25, 30, 35, 45, 55, 65

Random matching of rails and roller slides

Accuracy compatibility

The roller guides of random-matching type comply with the assembly specification of the precision grade of P6.

Random matching with preload

The random combinations of roller slide and rail provide the constant rigidity with an adequate preload. (Preload code: ZZ)

Random matching

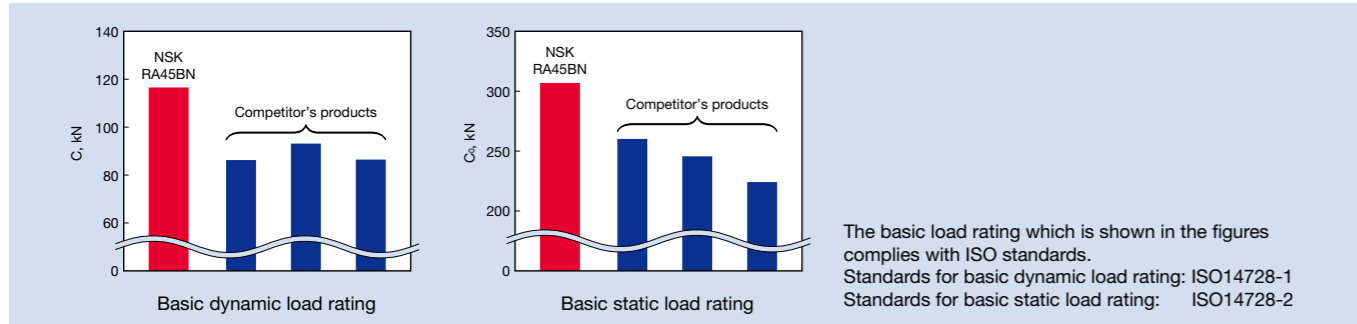
The rails and roller slides can be selected in single unit quantities.

Features

1. Super-high load capacity

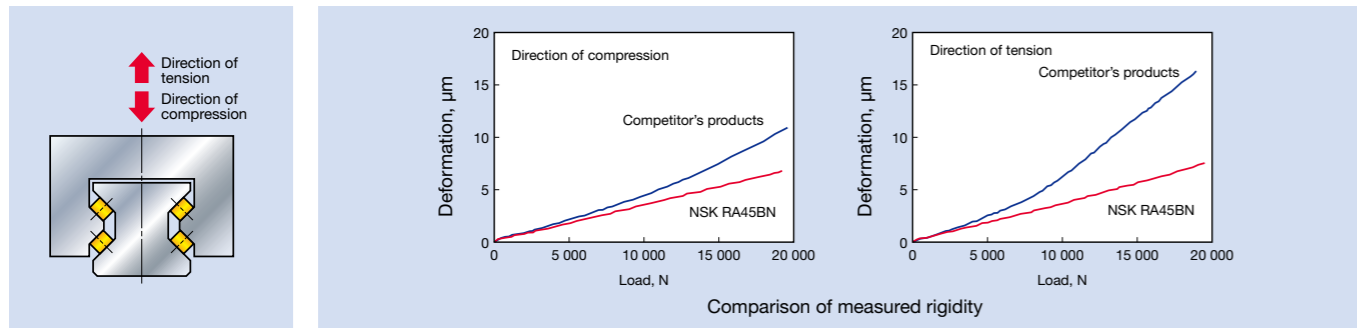
By installing rollers that are the largest possible diameter and length within the existing standard cross-section dimension in a rational layout based on analysis technology, we have realized the world's highest load capacity*, far superior to conventional roller guides. Super-long life is achieved and impact load can be sufficiently handled.

* Compared with products of the same size, as of September 1, 2003, researched by NSK.



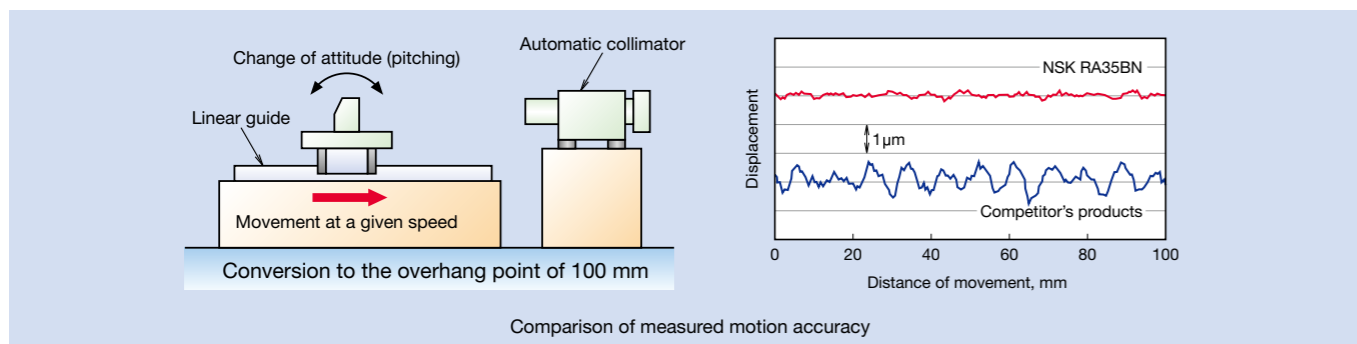
2. Super-high rigidity

Using NSK's advanced analysis technology, we pursued a complete, optimal design, down to the detailed shape of roller slides and rails, thereby realizing super-high rigidity superior to that of competitor's roller guides.



3. Super-high motion accuracy

NSK has developed its own unique method of simulating rolling element passage vibration and method of designing optimal roller slide specifications for damping roller passage vibration. These developments have dramatically enhanced roller slide motion accuracy for the RA series.

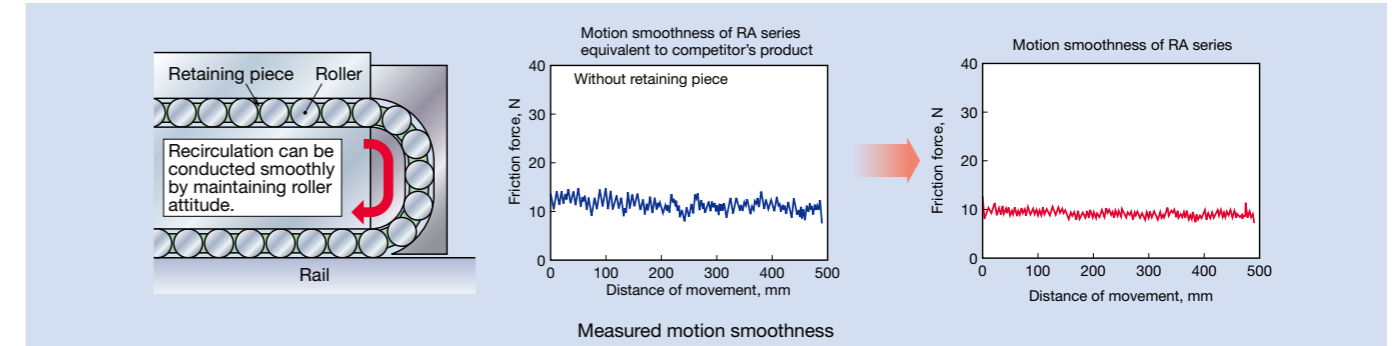


4. Mounting dimensions compatibility

The outer and mounting dimensions of RA series are based on market standards. RA series can be replaced without altering equipment design. (See page 13 for mounting surface dimensions)

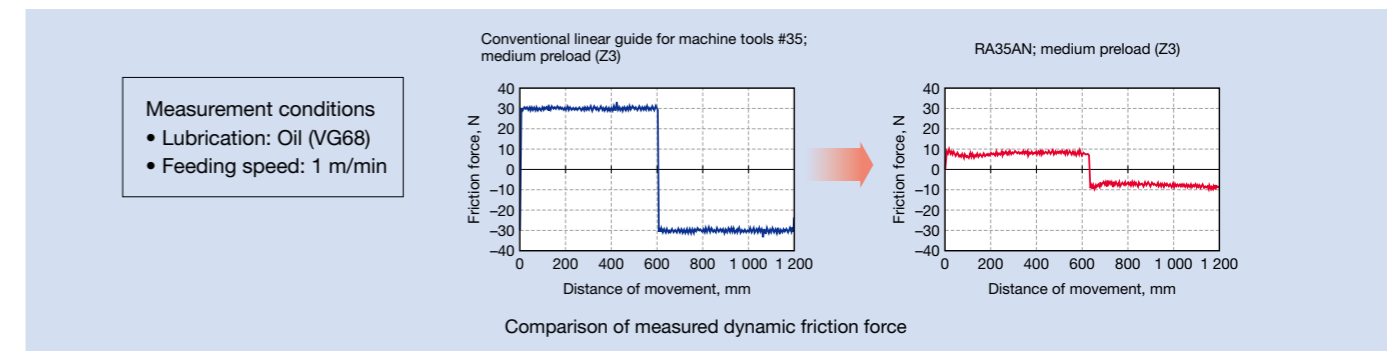
5. Smooth motion

Installing a retaining piece between rollers and restraining the skew peculiar to roller bearings achieve smooth motion. The reduction of friction variation provides stable tracking in the complicated trajectory control.



6. Low friction

Using rollers for rolling elements helps minimize dynamic friction.

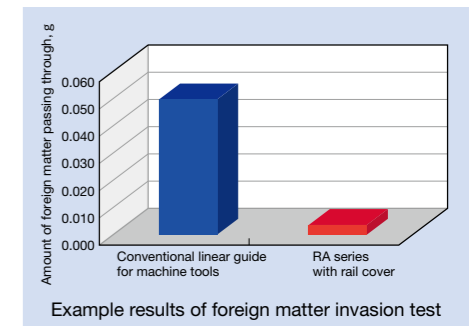


7. Highly dust-proof and maintenance-free operation

Roller slides include high performance seals as standard equipment. The seal completely blocks the entry of foreign matter into the rolling surface and prevents loss of performance. In addition, rail covers* are also available for severe operating conditions. (Rail covers reduce the amount of foreign matter to 1/10 that of conventional linear guide for machine tools.)

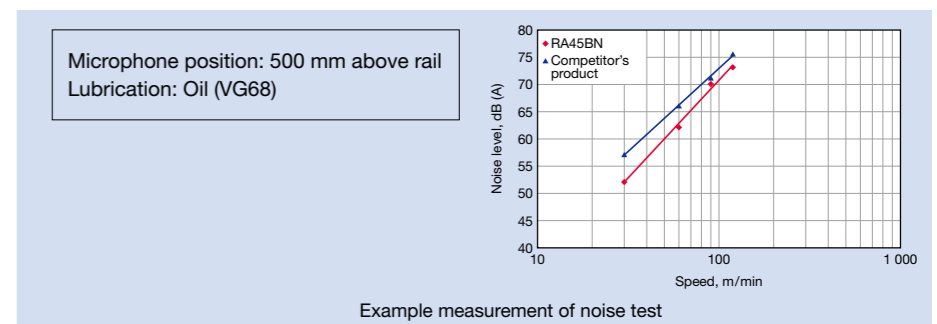
The highly regarded NSK K1™ lubrication unit is also available to satisfy customer needs for long-term, maintenance-free operation.

* Rail covers are only available for the models of RA25 to RA65.



8. Low noise

A retaining piece is provided between rollers to prevent collision of rollers to minimize noise.



Specifications

1. Roller Slide Types and Shapes

- Two types of roller slides are available in this series: one with a mounting flange and a square type with tapped holes and no flange.
- A compact, low-profile square type is now available.
- On the mounting hole of the flange type, the tapped part is used to fix the roller slide from the top surface, and the minor diameter can be used as a bolt hole from the bottom. This provides mounting from both directions, top and bottom.
- Roller slide length can be specified by standard high load type or special long, super-high load type.

Fig. 1 Square type

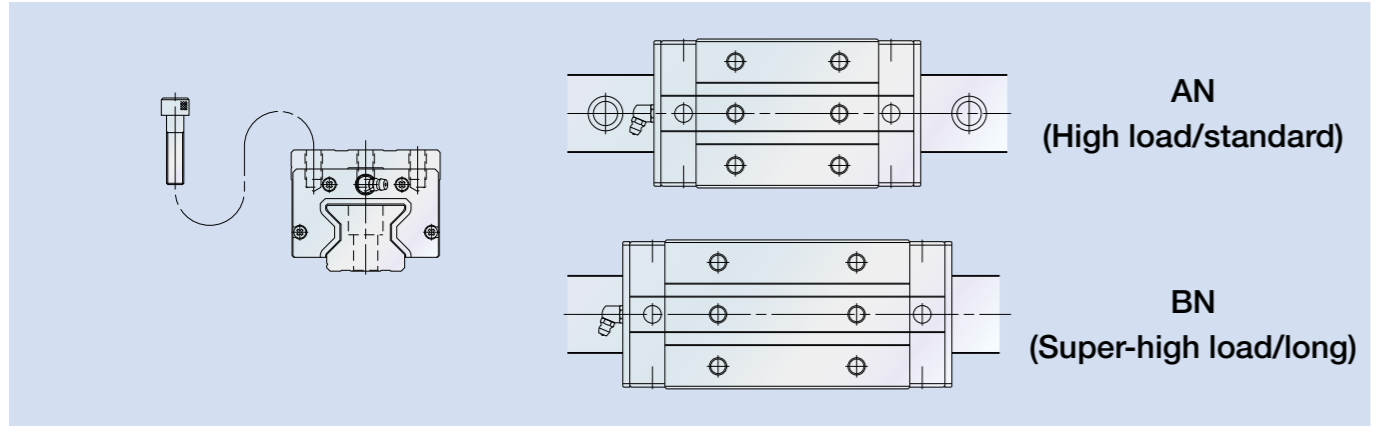


Fig. 2 Low-profile type

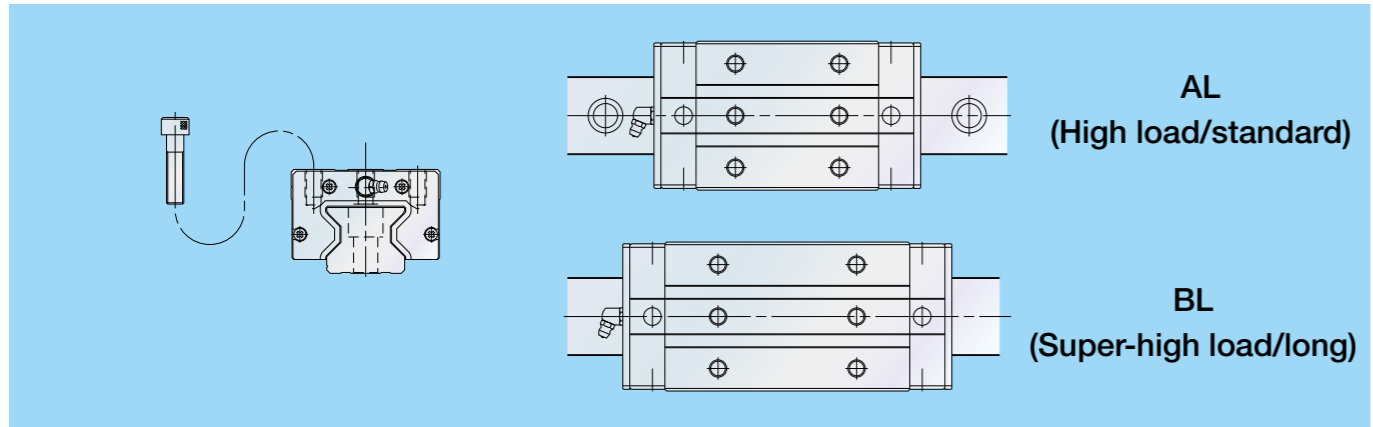
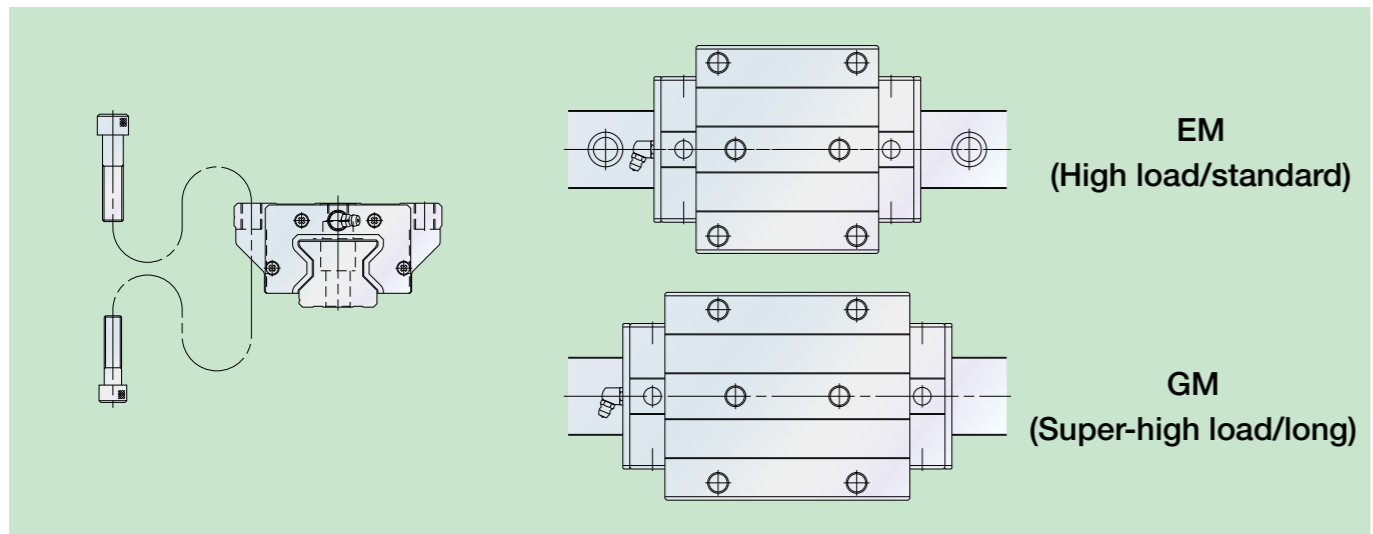


Fig. 3 Flange type



2. Accuracy

Four accuracy grades are available: ultra super precision P3, super precision P4, high precision P5, and precision P6.

Table 1 Accuracy standards

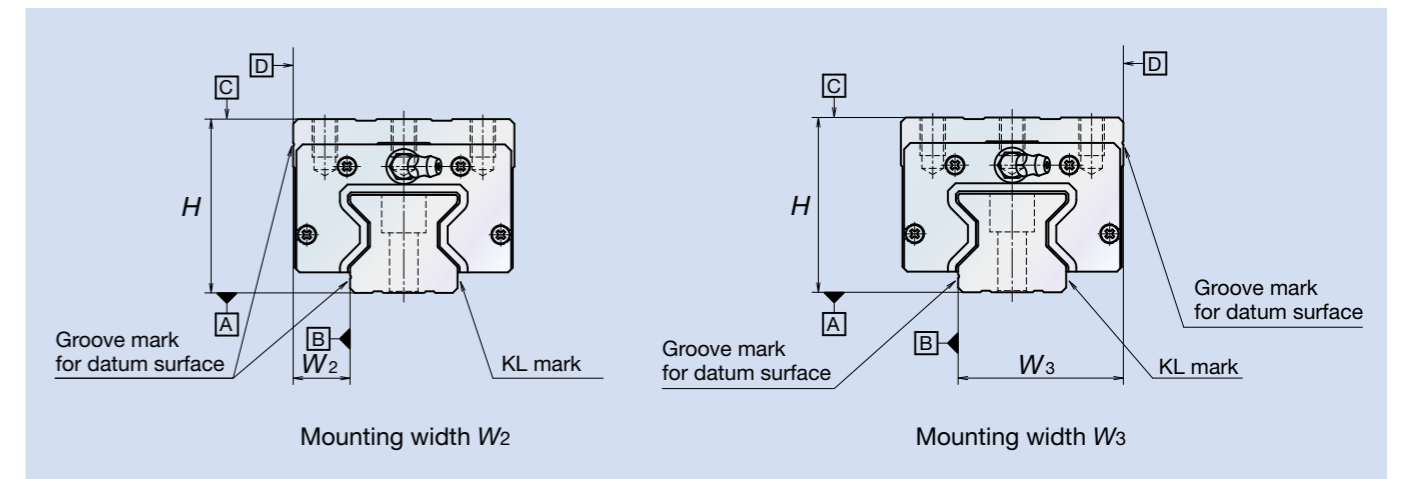
Accuracy standards	Accuracy grades				
	Ultra super precision P3	Super precision P4	High precision P5	Precision P6	Random-matching Precision P6
Mounting height: Dimensions in mounting height H	± 0.008	± 0.010	± 0.020	± 0.040	± 0.020
Mounting width: Dimensions in mounting width W_2 or W_3	± 0.010	± 0.015	± 0.025	± 0.050	± 0.025
Variation of mounting height dimension H	0.003	0.005	0.007	0.015	0.015
Variation of mounting width dimension W_2 or W_3^*	0.003	0.007	0.010	0.020	0.020
Running parallelism of face C against face A Running parallelism of face D against face B	Refer to Table 2				

* Difference in roller slides on the reference side roller guide.

Table 2 Running parallelism

Rail length (mm)	Ultra super precision P3	Super precision P4	High precision P5	Precision P6
Over - 50 or less	2	2	2	4.5
50 - 80	2	2	3	5
80 - 125	2	2	3.5	5.5
125 - 200	2	2	4	6
200 - 250	2	2.5	5	7
250 - 315	2	2.5	5	8
315 - 400	2	3	6	9
400 - 500	2	3	6	10
500 - 630	2	3.5	7	12
630 - 800	2	4	8	14
800 - 1 000	2.5	4.5	9	16
1 000 - 1 250	3	5	10	17
1 250 - 1 600	4	6	11	19
1 600 - 2 000	4.5	7	13	21
2 000 - 2 500	5	8	15	22
2 500 - 3 000	6	9.5	17	25
3 150 - 3 500	9	16	23	30

Fig. 4 Specifications of accuracy



3. Preload and Rigidity

We offer two levels of preload: Medium preload Z3 and Slight preload Z1.

Table 3 Preload Unit: N

Model No.		Slight preload (Z1)	Medium preload (Z3)
High-load type	RA15 AN, AL, EM	—	1 030
	RA20 AN, EM	—	1 920
	RA25 AN, AL, EM	880	2 920
	RA30 AN, AL, EM	1 170	3 890
	RA35 AN, AL, EM	1 600	5 330
	RA45 AN, AL, EM	2 780	9 280
Super-high-load type	RA55 AN, AL, EM	3 870	12 900
	RA65 AN, EM	6 300	21 000
	RA15 BN, BL, GM	—	1 300
	RA20 BN, GM	—	2 400
	RA25 BN, BL, GM	1 060	3 540
	RA30 BN, BL, GM	1 430	4 760
RA35 BN, BL, GM	2 020	6 740	
RA45 BN, BL, GM	3 480	11 600	
RA55 BN, BL, GM	5 040	16 800	
RA65 BN, GM	8 640	28 800	

Fig. 5 Direction of load

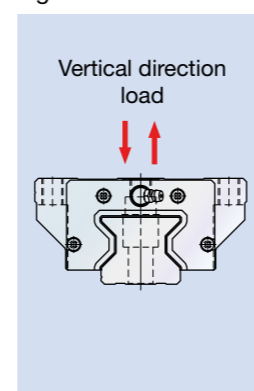
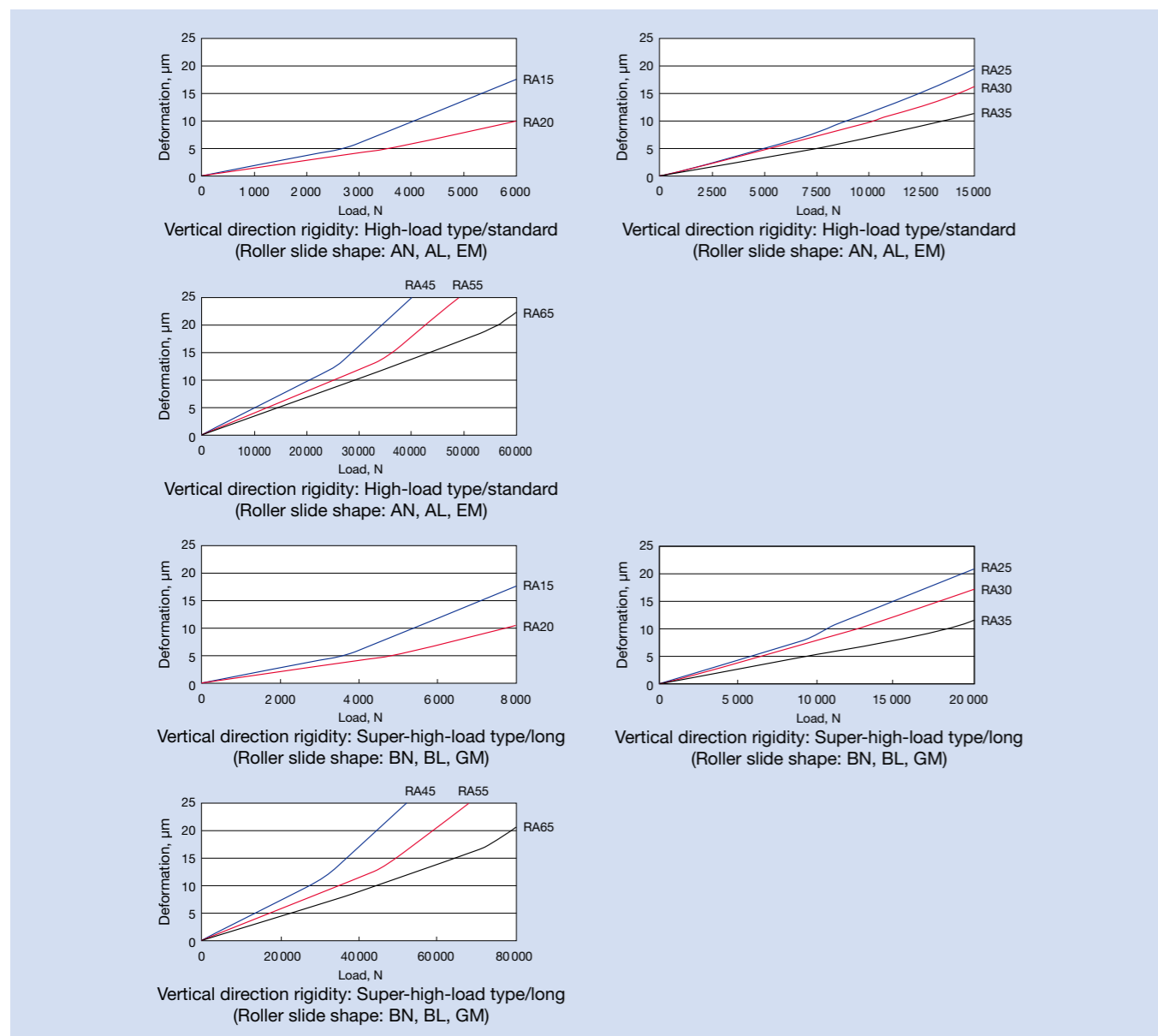


Fig. 6 Rigidity measurement data



4. Basic Load Rating and Rated Life

Basic dynamic load rating that expresses load capacity is established by ISO standards (ISO14728-1) for linear guides. With basic dynamic load rating, direction and size do not fluctuate so that rated fatigue life is 100 km. Load rating for NSK Linear Guides complies with ISO standards. With the RA series, dynamic load rating is the same in both the vertical and horizontal directions (4-way equal load specs.). Rated fatigue life L is calculated by the following formula when load F is applied to the roller slide in the horizontal or vertical direction only.

- This life formula is different from that for linear guides with ball rolling elements.
- f_w is load factor. Refer to the respective value from the following table 4 as a guideline according to potential vibration and the impact of the machine in which the linear guide is used, and select the load factor.

$$L = 100 \times \left(\frac{C}{f_w \cdot F} \right)^{\frac{10}{3}} \text{ (km)}$$

Table 4 Load factor f_w

Impact and/or vibration	Load factor
No impact and vibration from the outside	1.0 – 1.5
With impact and/or vibration from the outside	1.5 – 2.0
With heavy impact and/or vibration from the outside	2.0 – 3.0

Load applied to the linear guide (ball slide load) comes from various directions up/down and right/left directions and/or as moment load. Sometimes more than one type of load is applied simultaneously. Sometimes volume and direction of the load may change.

Varying load cannot be used as it is to calculate life of linear guide. Therefore, it is necessary to use a hypothetical load to ball slide with a constant volume, which would generate a value equivalent to an actual fatigue life. This is called “dynamic equivalent load.” For actual calculation, use the loads of Table 5.

Fig. 7 Direction of load

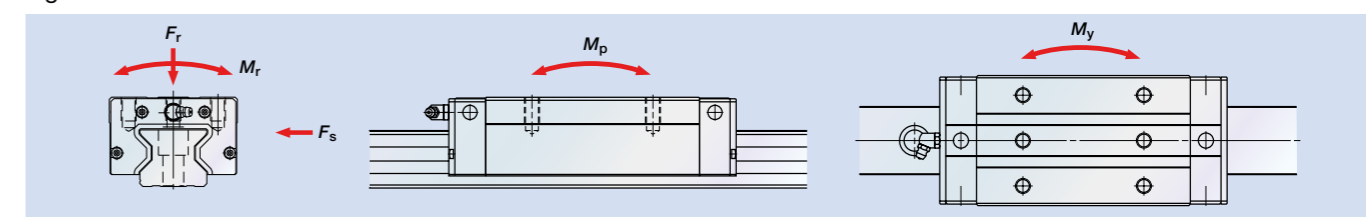


Table 5 Loads in the arrangement of linear guide

Pattern	Arrangement of linear guide	Loads necessary to calculate dynamic equivalent load					Dynamic equivalent load
		Up/down (vertical)	Right/left (lateral)	Rolling	Pitching	Yawing	
1		F_r	F_s	M_r	M_p	M_y	$F_e = F_r$ $F_{se} = F_s \tan \alpha$
2		F_r	F_s	M_r			$F_e = \epsilon_r M_r$ $F_{pe} = \epsilon_p M_p$ $F_{ye} = \epsilon_y M_y$
3		F_r	F_s		M_p	M_y	α : Contact angle (=45°) Dynamic equivalent coefficient
4		F_r	F_s				ϵ_r : Rolling direction ϵ_p : Pitching direction ϵ_y : Yawing direction

Table 6 Dynamic equivalent coefficient

Model No.	Dynamic equivalent coefficient (1/m)		
	ϵ_r	ϵ_p	ϵ_y
RA15 High load type	105	95	95
RA15 Super-high load type	105	70	70
RA20 High load type	79	74	74
RA20 Super-high load type	79	55	55
RA25 High load type	71	64	64
RA25 Super-high load type	71	50	50
RA30 High load type	56	58	58
RA30 Super-high load type	56	44	44
RA35 High load type	46	53	53
RA35 Super-high load type	46	39	39
RA45 High load type	37	40	40
RA45 Super-high load type	37	30	30
RA55 High load type	33	34	34
RA55 Super-high load type	33	24	24
RA65 High load type	26	28	28
RA65 Super-high load type	26	19	19

Formula is determined by the relationship of loads in terms of volume. Full dynamic equivalent load can be easily obtained by using each coefficient.

After obtaining the dynamic equivalent of the necessary load directions from Table 6, use the formulas below to calculate full dynamic equivalent loads.

- When F_r is the largest load: $F_e = F_r + 0.5F_{se} + 0.5F_{re} + 0.5F_{pe} + 0.5F_{ye}$
- When F_{se} is the largest load: $F_e = 0.5F_r + F_{se} + 0.5F_{re} + 0.5F_{pe} + 0.5F_{ye}$
- When F_{re} is the largest load: $F_e = 0.5F_r + 0.5F_{se} + F_{re} + 0.5F_{pe} + 0.5F_{ye}$
- When F_{pe} is the largest load: $F_e = 0.5F_r + 0.5F_{se} + 0.5F_{re} + F_{pe} + 0.5F_{ye}$
- When F_{ye} is the largest load: $F_e = 0.5F_r + 0.5F_{se} + 0.5F_{re} + 0.5F_{pe} + F_{ye}$

For the values of each dynamic equivalent load in the formulas above, disregard load directions and take the absolute value.

5. Lubrication Specifications

(1) Mounting position of lubrication accessories

- The standard position of grease fittings and tube fittings is the end face of the roller slide. (Fig. 8)
A lubrication hole can be provided on the side or the top face of the end cap or roller slide. Mounting positions are shown in the Figs. 8 and 9, and Tables 7.1 and 7.2.
- For mounting on top of the face of end cap, an O ring is required. For the model AN and BN, two O rings as well as spacers are required.
- When using a piping unit with a thread of M6 × 1, a connector is required to connect the piping unit to a grease fitting mounting hole with M6 × 7.5. Connectors are available from NSK.

(2) Cautions for oil lubrication

- If oil lubrication is used, the oil may not pervade the rolling surface in accordance with the roller slide mounting conditions such as upside down mounting and wall mounting. In these situations, consult with NSK.
- When using an oil mist lubricating system, please confirm how much oil is needed for each outlet port.

Fig. 8 Mounting position of lubrication accessories

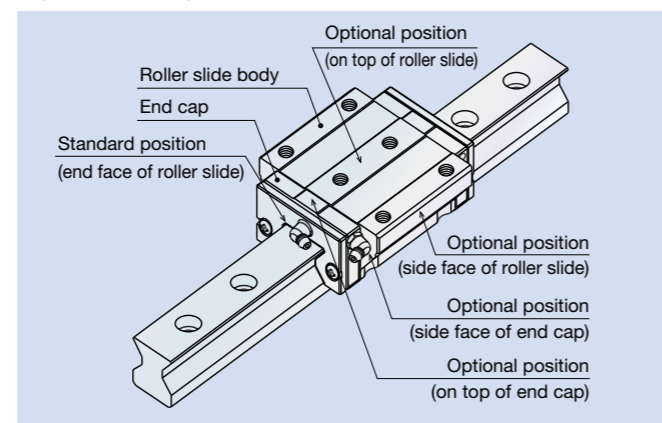


Fig. 9 Top and side lubrication hole positions

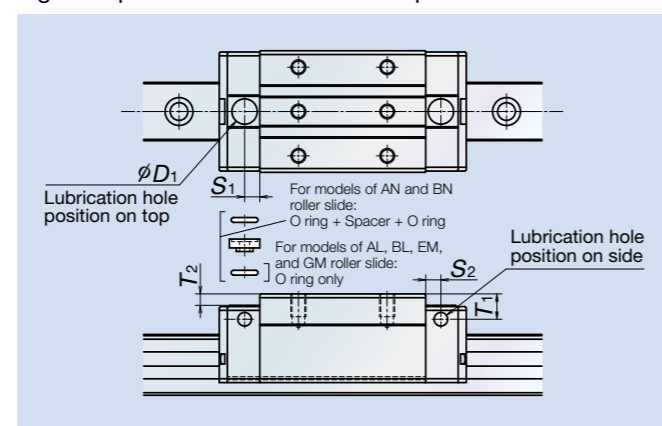


Table 7.1 Lubrication hole positions

Unit: mm

Model No.	Roller slide shape code	Grease nipple size	s ₂	T ₁	Spacer	D ₁	s ₁	T ₂
RA15	AN, BN	φ3	4	7	Necessary	8.2	4.4	4.2
RA20		φ3	4	4	–	9.2	5.4	0.2
RA25		M6×0.75	6	10	Necessary	10.2	6	4.5
RA30		M6×0.75	5	10	Necessary	10.2	6	3.5
RA35		M6×0.75	5.5	15	Necessary	10.2	7	7.4
RA45		Rc 1/8	7.2	20	Necessary	10.2	7.2	10.4
RA55		Rc 1/8	7.2	21	Necessary	10.2	7.2	10.4
RA65		Rc 1/8	7.2	19	–	10.2	7.2	0.4

Table 7.2 Lubrication hole positions

Unit: mm

Model No.	Roller slide shape code	Grease nipple size	s ₂	T ₁	D ₁	s ₁	T ₂
RA15	AL, BL, EM, GM	φ3	4	3	8.2	4.4	0.2
RA20	EM, GM	φ3	4	4	9.2	5.4	0.2
RA25	AL, BL, EM, GM	M6×0.75	6	6	10.2	6	0.4
RA30		M6×0.75	5	7	10.2	6	0.4
RA35		M6×0.75	5.5	8	10.2	7	0.4
RA45		Rc 1/8	7.2	10	10.2	7.2	0.4
RA55		Rc 1/8	7.2	11	10.2	7.2	0.4
RA65		EM, GM	Rc 1/8	7.2	19	10.2	7.2

Fig. 10 Grease fitting and Tube fitting

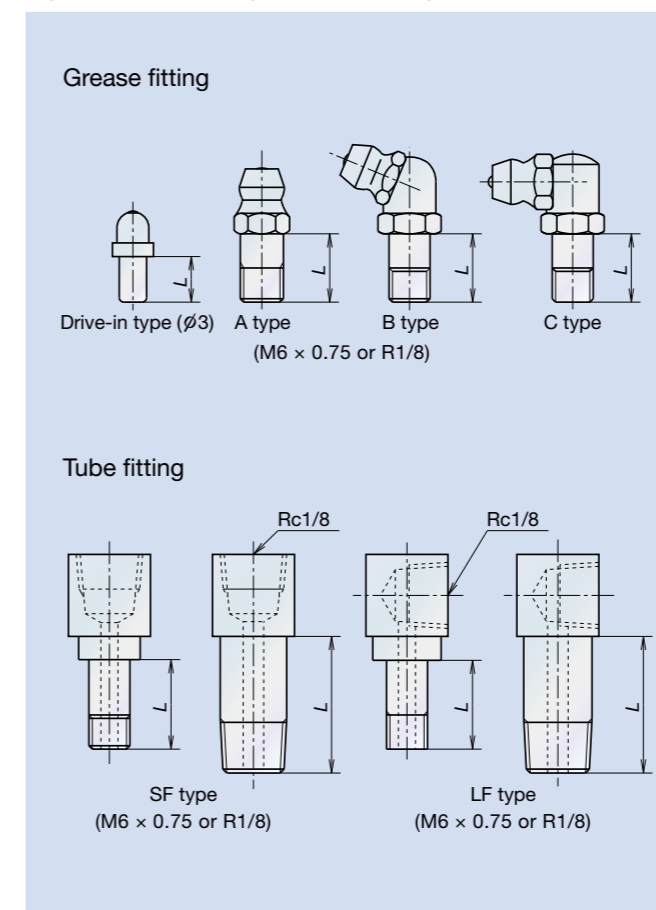


Table 8

Unit: mm

Model No.	Dust-proof specification	Grease fitting Drive-in type	Tube fitting
		Thread body length L	Thread body length L
RA15	Standard	5	–
	With NSK K1	10	–
	Double seal	8	–
RA20	Protector	8	–
	Standard	5	–
	With NSK K1	10	–
RA25	Double seal	8	–
	Protector	8	–
	Standard	5	5
RA30	With NSK K1	12	12
	Double seal	10	9
	Protector	10	9
RA35	Standard	5	6
	With NSK K1	14	15
	Double seal	12	11
RA45	Protector	12	11
	Standard	5	6
	With NSK K1	14	15
RA55	Double seal	12	11
	Protector	12	11
	Standard	8	17
RA65	With NSK K1	18	21.5
	Double seal	14	17
	Protector	14	17

6. Dust-proof

RA series is equipped with end, inner* and bottom seals to prevent foreign matter from entering the inside of the roller slide. Under normal applications, the RA series can be used without modification.

For severe usage conditions, optional rail covers are available. Contact NSK for information on how to mount the cover. The linear guide can also be equipped with a lubrication unit NSK K1 that has already proven its effectiveness with other NSK Linear Guides.

Table 9 Optional parts for dust-proofing

Name	Objective
NSK K1	Porous part containing oil enhances lubrication function.
Double seal	Sealing effect is enhanced by using pairs of side seals.
Protector	Removes large dust particles and protects side seals from hot and hard dust particles.
Rail cover**	Covers top of rail to prevent foreign matter from getting in the rail mounting holes.
Bolt hole cap	Prevents foreign matter such as cutting dust from collecting in the rail mounting holes.

* Inner seals for RA15 and RA20 are available as options. ** Rail cover is applicable to RA25 to RA65.

Fig. 12 View of the roller slide equipped with the dust-proof parts

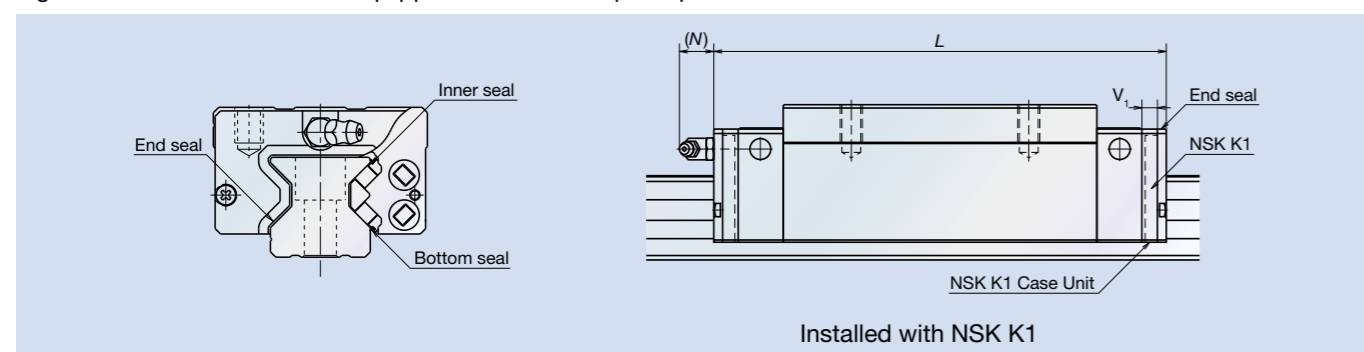


Table 10 Dimensions of roller slide assembly equipped with the optional parts

Unit: mm

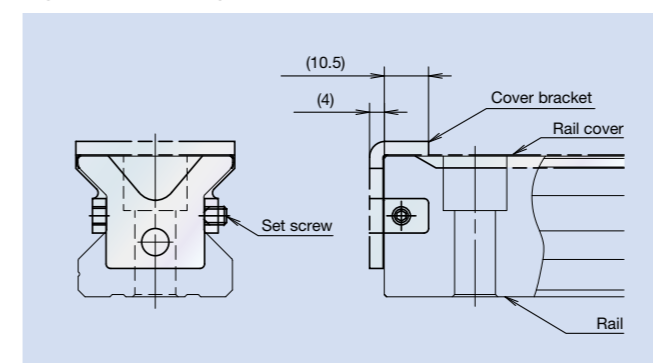
Model No.	Roller slide shape code	Roller slide length			
		Standard roller slide length	Roller slide length installed with NSK K1	Length of NSK K1 Case Unit V_1	Protruding area of the grease fitting N
RA15	AN, AL, EM	70	79	4.5	(3)
	BN, BL, GM	85.4	94.4		
RA20	AN, EM	86.5	95.5	4.5	(3)
	BN, GM	106.3	115.3		
RA25	AN, AL, EM	97.5	107.5	5	(11)
	BN, BL, GM	115.5	125.5		
RA30	AN, AL, EM	110.8	122.8	6	(11)
	BN, BL, GM	135.4	147.4		
RA35	AN, AL, EM	123.8	136.8	6.5	(11)
	BN, BL, GM	152	165		
RA45	AN, AL, EM	154	168	7	(14)
	BN, BL, GM	190	204		
RA55	AN, AL, EM	184	198	7	(14)
	BN, BL, GM	234	248		
RA65	AN, EM	228.4	243.4	7.5	(14)
	BN, GM	302.5	317.5		

Above dimensions are for the assembly length of a roller slide equipped with one of the optional dust-proof parts on each end. Please consult with NSK for the dimensions when more than one kind of optional parts are used.

Fig. 11 Rail cover



Fig. 13 End configuration of rail equipped with the rail cover



When the rail cover is used, use the cover bracket to secure the rail cover. Fig. 13 shows the dimensions for the cover bracket. The required room at the end of the rail is:

- Inside: 10.5 mm or less
- Outside: 4 mm or less
(Common to the models of RA25 to RA65)

Please confirm the interference with your machine at the stroke end.

- Machine stroke
- Room for the end of the rail

Table 11 Height of rails equipped with rail cover Unit: mm

Model No.	Standard rail height H_1	Rail height installed with rail cover
RA25	24	24.25
RA30	28	28.25
RA35	31	31.25
RA45	38	38.3
RA55	43.5	43.8
RA65	55	55.3

The height of the rail with the rail cover is shown in Table 11.

Table 12 Cap to plug rail mounting bolt hole

Model No.	Bolt to secure rail	Cap reference No.	Quantity/case
RA15	M4	LG-CAP/M4	20/case
RA20	M5	LG-CAP/M5	20/case
RA25	M6	LG-CAP/M6	20/case
RA30, RA35	M8	LG-CAP/M8	20/case
RA45	M12	LG-CAP/M12	20/case
RA55	M14	LG-CAP/M14	20/case
RA65	M16	LG-CAP/M16	20/case

Bolt size for rail mounting and cap reference number are shown in Table 12.

7. Installation

(1) Mounting tolerance

Mounting tolerance results in harmful effects such as shortened operating life, deterioration in motion accuracy, and friction variation.

NSK particularly focuses on operating life, and sets an operating life value of more than 10 000 km calculated under the following conditions as mounting tolerance:

- The load per roller slide is 10% of basic dynamic load rating C.
- The rigidity of machine is infinite.

The tolerance in Fig. 14 is shown in the Table 13 as typical tolerance.

Fig. 14 Mounting tolerance

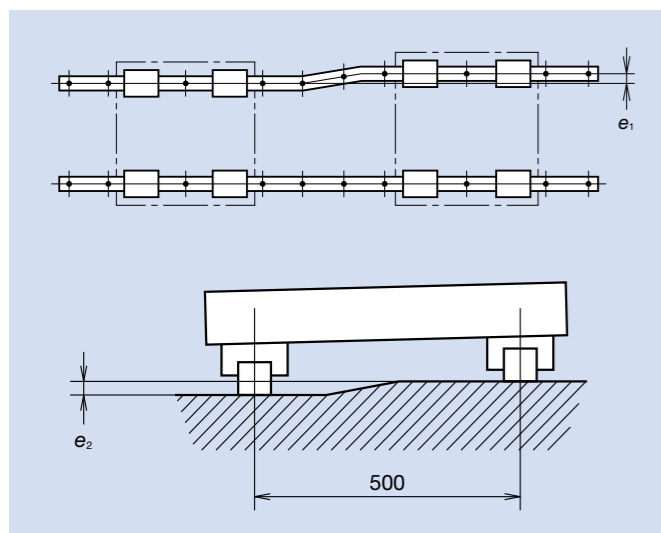


Table 13 Mounting tolerance of RA series Unit: μm

Model No.	Parallelism tolerance of two roller guides e_1		Height tolerance of two roller guides e_2	
	Z1	Z3, ZZ	Z1	Z3, ZZ
RA15	-	5	-	150 μm / 500 mm
RA20	-	7		
RA25	14	9	290 μm / 500 mm	150 μm / 500 mm
RA30	18	11		
RA35	21	13		
RA45	27	17		
RA55	31	19		
RA65	49	30		

(2) Shoulder height and corner radius of mounting surface

When using the shoulders, which rise perpendicularly to the mounting surface, for accurate installation of a roller guide, refer to Fig. 15 and Table 14 for the dimensions.

Fig. 15 Datum face of roller guide and shoulder

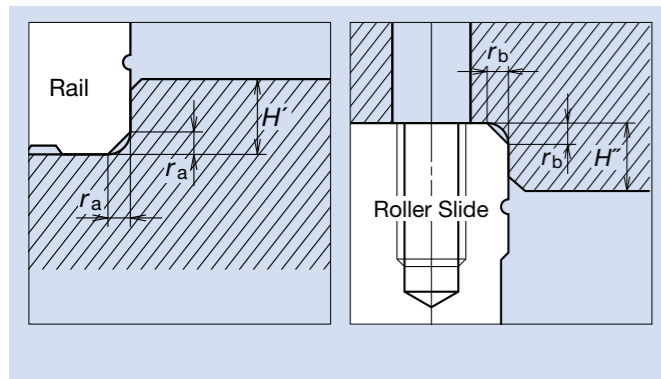


Table 14 Shoulder height and corner radius of attachment Unit: mm

Model No.	Shoulder Height		Chamfer (maximum)	
	H'	H''	r_a	r_b
RA15	3	4	0.5	0.5
RA20	4	5	0.5	0.5
RA25	4	5	0.5	1.0
RA30	5	6	1.0	1.0
RA35	5	6	1.0	1.0
RA45	6	8	1.5	1.0
RA55	7	10	1.5	1.5
RA65	11	11	1.5	1.5

8. Maximum rail length

Table 15 shows the limitations of rail length. However, the limitations vary by accuracy grades.

Table 15 Length limitation of rails

Size	RA15	RA20	RA25	RA30	RA35	RA45	RA55	RA65
Length	2 000	3 000	3 000	3 500	3 500	3 500	3 500	3 500

Unit: mm

Note: Rails can be butted if user requirement exceeds the rail length shown in the table. Please consult NSK.

Handling Precautions

- ① Operating temperature limits should normally be less than 80°C.
- ② If using NSK K1™, service temperature should not exceed 50°C (or 80°C instantaneously). Make sure the unit does not come in contact with organic solvents with that can be used for degreasing. Do not place the unit in a location exposed to white kerosene or rust prevention oil containing white kerosene.
- ③ When transferring the roller slide onto the rail, or vice versa:
 - Do not remove an unnecessary roller slide from the rail as much as you can.
 - Use the provided provisional rail to prevent dents or scratches on the raceways caused by the roller slide that is jammed into the one from the other. It also prevents the rollers from dropping.
 - When transferring the roller slide onto the rail, or vice versa, butt the provisional rail up against the rail and slide it directly from one onto the other.
 - Use a clean provisional rail. Do not use the provisional rail that is contaminated with particles or uses different grease from that of the relevant roller slide.



Square type (tapped mounting holes)
RA-AN (High-load type/standard), RA-BN (Super-high-load type/long)

Assembly

Example of specification number: **RA 35 1000 AN C 2 - ** P6 Z**

Series code: RA
Size No.: 35
Rail length (mm): 1000
Roller slide shape code: AN, BN
Material and surface treatment code, C: Special high carbon steel (NSK standard)

Preload code 1: Z1 Slight preload
3: Z3 Medium preload
Z: Random matching with preload
Accuracy grade^{*1} (Without NSK K1): P3, P4, P5, P6
(With NSK K1): K3, K4, K5, K6
Design serial number: **
Number of roller slides per rail: P6
Preload code: Z

*1 Only P6 and K6 grades are available for the random-matching type.

Random-matching rail

Example of specification number: **R1A 35 1000 L C N - ** P6 Z**

RA Series random-matching rail code: R1A
Size No.: 35
Rail length (mm): 1000
Rail shape code L: Standard
Material and surface treatment code, C: Special high carbon steel (NSK standard)

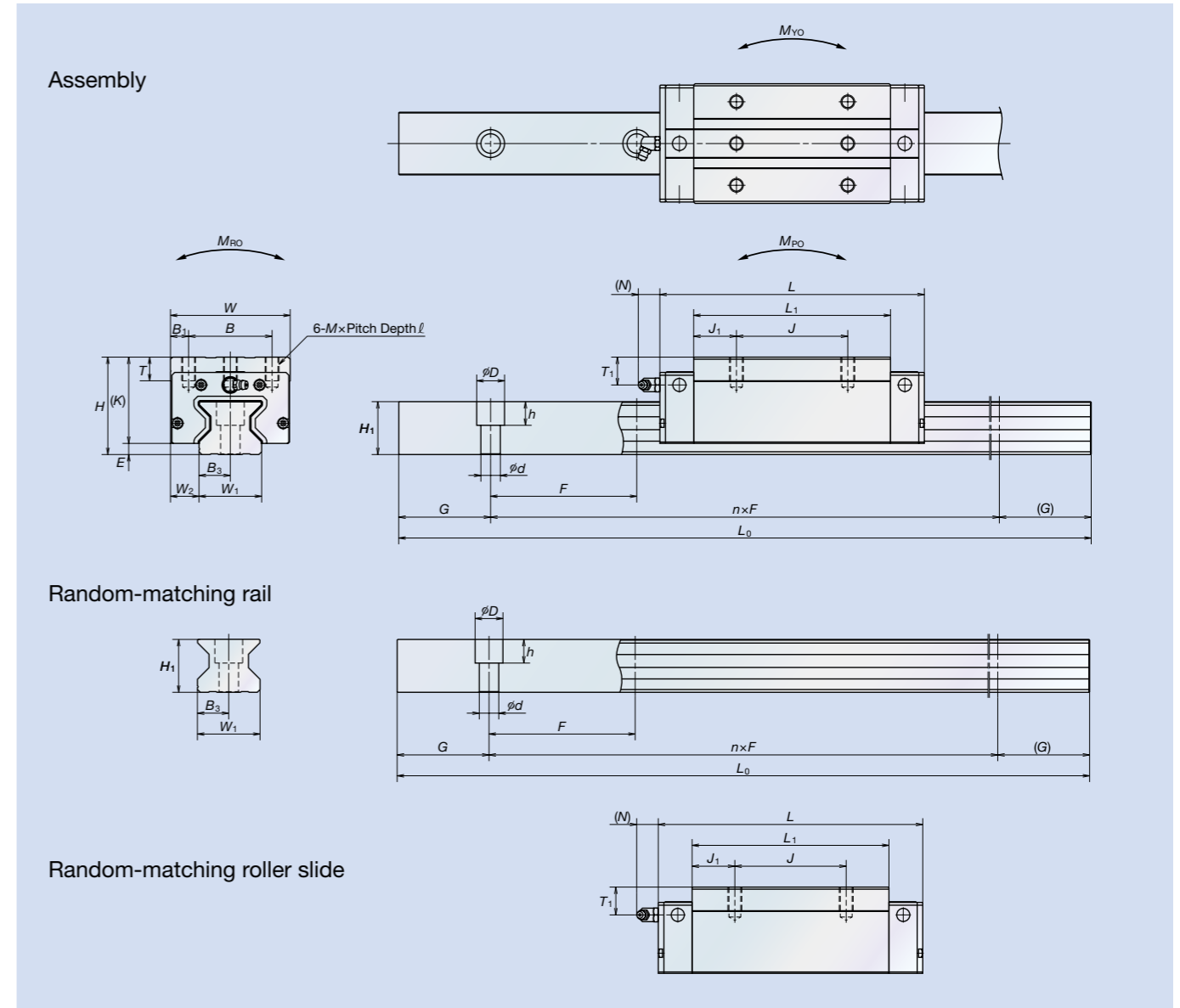
Preload code Z: Random matching with preload
Accuracy grade P6: Precision
Design serial number: **
Butting specification
N: Non-butting specification L: Butting specification

Random-matching roller slide

Example of specification number: **RAA 35 AN P6 Z - F**

RA Series random-matching roller slide code: RAA
Size No.: 35
Roller slide shape code: AN, BN

Option code
No code: No surface treatment
F: Fluoride low temperature chrome plating
C: No surface treatment + rail cover
CF: Fluoride low temperature chrome plating + rail cover
Z: Random matching with preload
Accuracy grade P6: Precision



Unit: mm

Model No.	Assembly			Roller slide										Rail					Basic load rating					Weight						
	Height H	E	W ₂	Width W	Length L	Mounting hole			B ₁	L ₁	J ₁	K	T	Grease fitting			Rail width W ₁	Rail height H ₁	Bolt pitch F	Bolt hole d × D × h	B ₃	G (recommended)	Maximum length L _{0max}	Dynamic C (N)	Static C ₀ (N)	Static moment (N·m)			Roller slide (kg)	Rail (kg/m)
						B	J	M × Pitch × ℓ						Mounting hole	T ₁	N										M _{R0}	M _{P0}	M _{Y0}		
RA15AN RA15BN	28	4	9.5	34	70 85.4	26	26	M4×0.7×6	4	44.8 60.2	9.4 17.1	24	8	φ3	8	3	15	16.3	60 (30)	4.5×7.5×5.3	7.5	20	2 000	10 300 13 000	27 500 37 000	260 350	210 375	210 375	0.21 0.30	1.6
RA20AN RA20BN	30	5	12	44	86.5 106.3	32	36 50	M5×0.8×6	6	57.5 77.3	10.75 13.65	25	12	φ3	4	3	20	20.8	60 (30)	6×9.5×8.5	10	20	3 000	19 200 24 000	52 500 70 000	665 890	505 900	505 900	0.38 0.50	2.6
RA25AN RA25BN	40	5	12.5	48	97.5 115.5	35	35 50	M6×1×9	6.5	65.5 83.5	15.25 16.75	35	12	M6×0.75	10	11	23	24	30	7×11×9	11.5	20	3 000	29 200 35 400	72 700 92 900	970 1 240	760 1 240	760 1 240	0.60 0.91	3.4
RA30AN RA30BN	45	6.5	16	60	110.8 135.4	40	40 60	M8×1.25×11	10	74 98.6	17 19.3	38.5	14	M6×0.75	10	11	28	28	40	9×14×12	14	20	3 500	38 900 47 600	93 500 121 000	1 670 2 170	1 140 1 950	1 140 1 950	1.0 1.3	4.9
RA35AN RA35BN	55	6.5	18	70	123.8 152	50	50 72	M8×1.25×12	10	83.2 111.4	16.6 19.7	48.5	15	M6×0.75	15	11	34	31	40	9×14×12	17	20	3 500	53 300 67 400	129 000 175 000	2 810 3 810	1 800 3 250	1 800 3 250	1.6 2.1	6.8
RA45AN RA45BN	70	8	20.5	86	154 190	60	60 80	M10×1.5×17	13	105.4 141.4	22.7 30.7	62	17	R _C 1/8	20	14	45	38	52.5	14×20×17	22.5	22.5	3 500	92 800 116 000	229 000 305 000	6 180 8 240	4 080 7 150	4 080 7 150	3.0 4.1	10.9
RA55AN RA55BN	80	9	23.5	100	184 234	75	75 95	M12×1.75×18	12.5	128 178	26.5 41.5	71	18	R _C 1/8	21	14	53	43.5	60	16×23×20	26.5	30	3 500	129 000 168 000	330 000 462 000	10 200 14 300	7 060 13 600	7 060 13 600	4.9 6.7	14.6
RA65AN RA65BN	90	13	31.5	126	228.4 302.5	76	70 120	M16×2×20	25	155.4 229.5	42.7 54.75	77	22	R _C 1/8	19	14	63	55	75	18×26×22	31.5	35	3 500	210 000 288 000	504 000 756 000	19 200 28 700	12 700 28 600	12 700 28 600	9.3 12.2	22.0

* Select either one of two F dimensions, the standard or the parenthesized semi-standard dimensions, for the pitch of rail fixing bolt holes.
If not specified, the standard dimension of F is applied.
* The random-matching type is available for the model of RA25 to RA65.

* The basic load rating complies with ISO standards (ISO14728-1, ISO14728-2).
If the above basic dynamic load rating (100 km rating) is converted into 50 km rating, use the following formula:
C_{50 km} = 1.23 × C_{100 km}

Low profile type (tapped mounting holes)
RA-AL (High-load type/standard), RA-BL (Super-high-load type/long)

Assembly

Example of specification number: **RA 35 1000 AL C 2 - ** P6 Z**

Series code: RA
Size No.: 35
Rail length (mm): 1000
Roller slide shape code: AL, BL
Material and surface treatment code, C: Special high carbon steel (NSK standard)

Preload code 1: Z1 Slight preload
3: Z3 Medium preload
Z: Random matching with preload
Accuracy grade^{1,2}: (Without NSK K1): P3, P4, P5, P6
(With NSK K1): K3, K4, K5, K6
Design serial number: **
Number of roller slides per rail: 2

*1 Only P6 and K6 grades are available for the random-matching type.

Random-matching rail

Example of specification number: **R1A 35 1000 L C N - ** P6 Z**

RA Series random-matching rail code: R1A
Size No.: 35
Rail length (mm): 1000
Rail shape code L: Standard
Material and surface treatment code, C: Special high carbon steel (NSK standard)

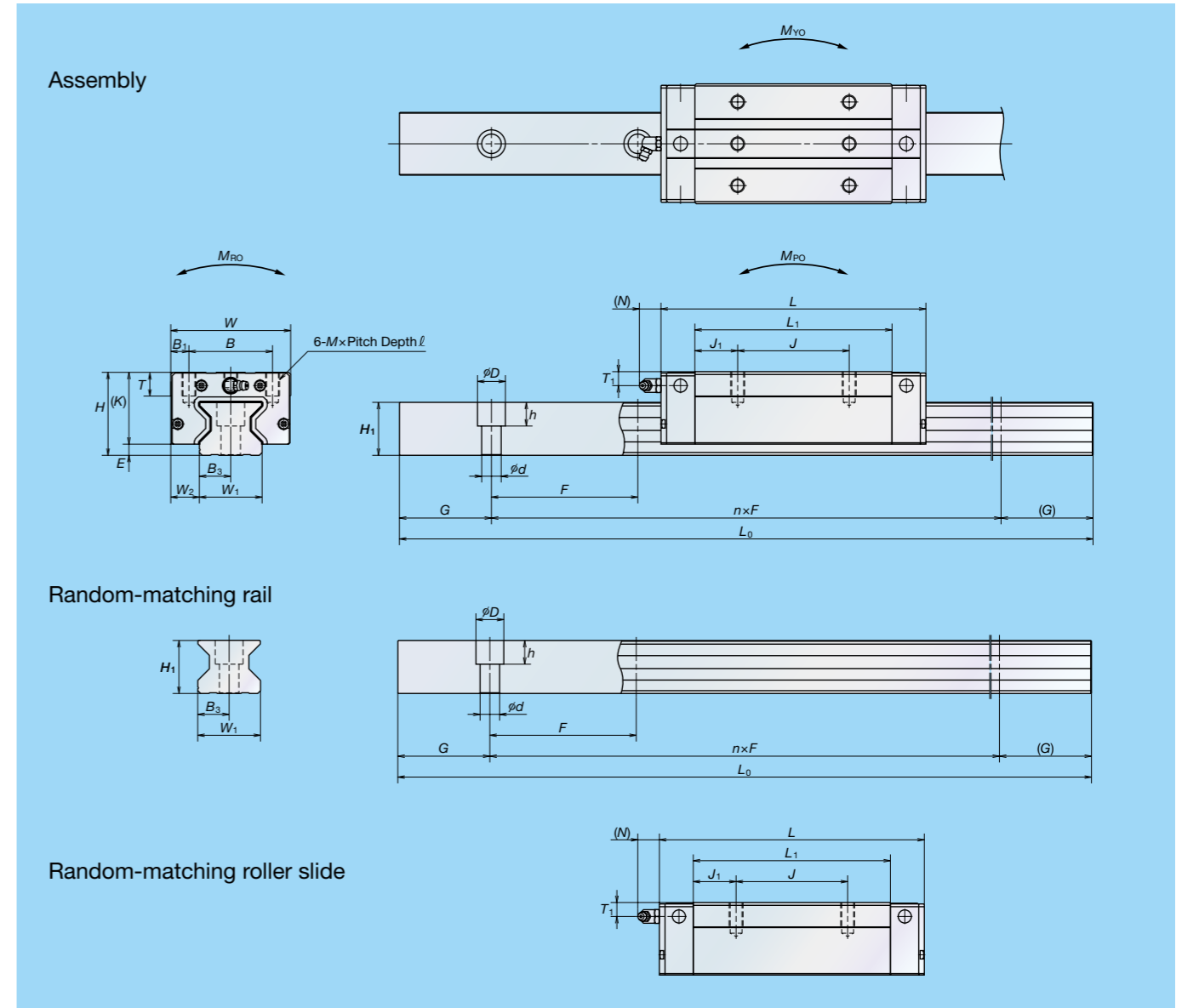
Preload code Z: Random matching with preload
Accuracy grade P6: Precision
Design serial number: **
Butting specification: N: Non-butting specification L: Butting specification

Random-matching roller slide

Example of specification number: **RAA 35 AL P6 Z - F**

RA Series random-matching roller slide code: RAA
Size No.: 35
Roller slide shape code: AL, BL
Material and surface treatment code, C: Special high carbon steel (NSK standard)

Option code:
No code: No surface treatment
F: Fluoride low temperature chrome plating
C: No surface treatment + rail cover
CF: Fluoride low temperature chrome plating + rail cover
Z: Random matching with preload
Accuracy grade P6: Precision



Unit: mm

Model No.	Assembly			Roller slide										Rail					Basic load rating					Weight						
	Height H	E	W ₂	Width W	Length L	Mounting hole			B ₁	L ₁	J ₁	K	T	Grease fitting			Rail width W ₁	Rail height H ₁	Bolt pitch F	Bolt hole d x D x h	B ₃	G (recommended)	Maximum length L _{0max}	Dynamic C (N)	Static C ₀ (N)	Static moment (N·m)			Roller slide (kg)	Rail (kg/m)
						B	J	M x Pitch x ℓ						Mounting hole	T ₁	N										M _{R0}	M _{P0}	M _{Y0}		
RA15AL RA15BL	24	4	9.5	34	70 85.4	26	26	M4×0.7×5.5	4	44.8 60.2	9.4 17.1	20	8	φ3	4	3	15	16.3	60 (30)	4.5×7.5×5.3	7.5	20	2 000	10 300 13 000	27 500 37 000	260 350	210 375	210 375	0.17 0.25	1.6
RA25AL RA25BL	36	5	12.5	48	97.5 115.5	35	35 50	M6×1×8	6.5	65.5 83.5	15.25 16.75	31	12	M6×0.75	6	11	23	24	30	7×11×9	11.5	20	3 000	29 200 35 400	72 700 92 900	970 1 240	760 1 240	760 1 240	0.45 0.80	3.4
RA30AL RA30BL	42	6.5	16	60	110.8 135.4	40	40 60	M8×1.25×11	10	74 98.6	17 19.3	35.5	14	M6×0.75	7	11	28	28	40	9×14×12	14	20	3 500	38 900 47 600	93 500 121 000	1 670 2 170	1 140 1 950	1 140 1 950	0.85 1.1	4.9
RA35AL RA35BL	48	6.5	18	70	123.8 152	50	50 72	M8×1.25×12	10	83.2 111.4	16.6 19.7	41.5	15	M6×0.75	8	11	34	31	40	9×14×12	17	20	3 500	53 300 67 400	129 000 175 000	2 810 3 810	1 800 3 250	1 800 3 250	1.2 1.7	6.8
RA45AL RA45BL	60	8	20.5	86	154 190	60	60 80	M10×1.5×16	13	105.4 141.4	22.7 30.7	52	17	R _C 1/8	10	14	45	38	52.5	14×20×17	22.5	22.5	3 500	92 800 116 000	229 000 305 000	6 180 8 240	4 080 7 150	4 080 7 150	2.5 3.4	10.9
RA55AL RA55BL	70	9	23.5	100	184 234	75	75 95	M12×1.75×18	12.5	128 178	26.5 41.5	61	18	R _C 1/8	11	14	53	43.5	60	16×23×20	26.5	30	3 500	129 000 168 000	330 000 462 000	10 200 14 300	7 060 13 600	7 060 13 600	4.1 5.7	14.6

* Select either one of two F dimensions, the standard or the parenthesized semi-standard dimensions, for the pitch of rail fixing bolt holes. If not specified, the standard dimension of F is applied.

* The random-matching type is available for the model of RA25 to RA65.

* The basic load rating complies with ISO standards (ISO14728-1, ISO14728-2). If the above basic dynamic load rating (100 km rating) is converted into 50 km rating, use the following formula:
C_{50 km} = 1.23 × C_{100 km}

Flange type (for both tapped and bolt mounting holes)
RA-EM (High-load type/standard), RA-GM (Super-high-load type/long)

Assembly

Example of specification number: **RA 35 1000 EM C 2 - ** P6 Z**

Series code: RA
Size No.: 35
Rail length (mm): 1000
Roller slide shape code: EM, GM
Material and surface treatment code, C: Special high carbon steel (NSK standard)

Preload code 1: Z1 Slight preload
3: Z3 Medium preload
Z: Random matching with preload
Accuracy grade²: (Without NSK K1): P3, P4, P5, P6
(With NSK K1): K3, K4, K5, K6
Design serial number: **
Number of roller slides per rail: 2

*1 Only P6 and K6 grades are available for the random-matching type.

Random-matching rail

Example of specification number: **R1A 35 1000 L C N - ** P6 Z**

RA Series random-matching rail code: R1A
Size No.: 35
Rail length (mm): 1000
Rail shape code L: Standard
Material and surface treatment code, C: Special high carbon steel (NSK standard)

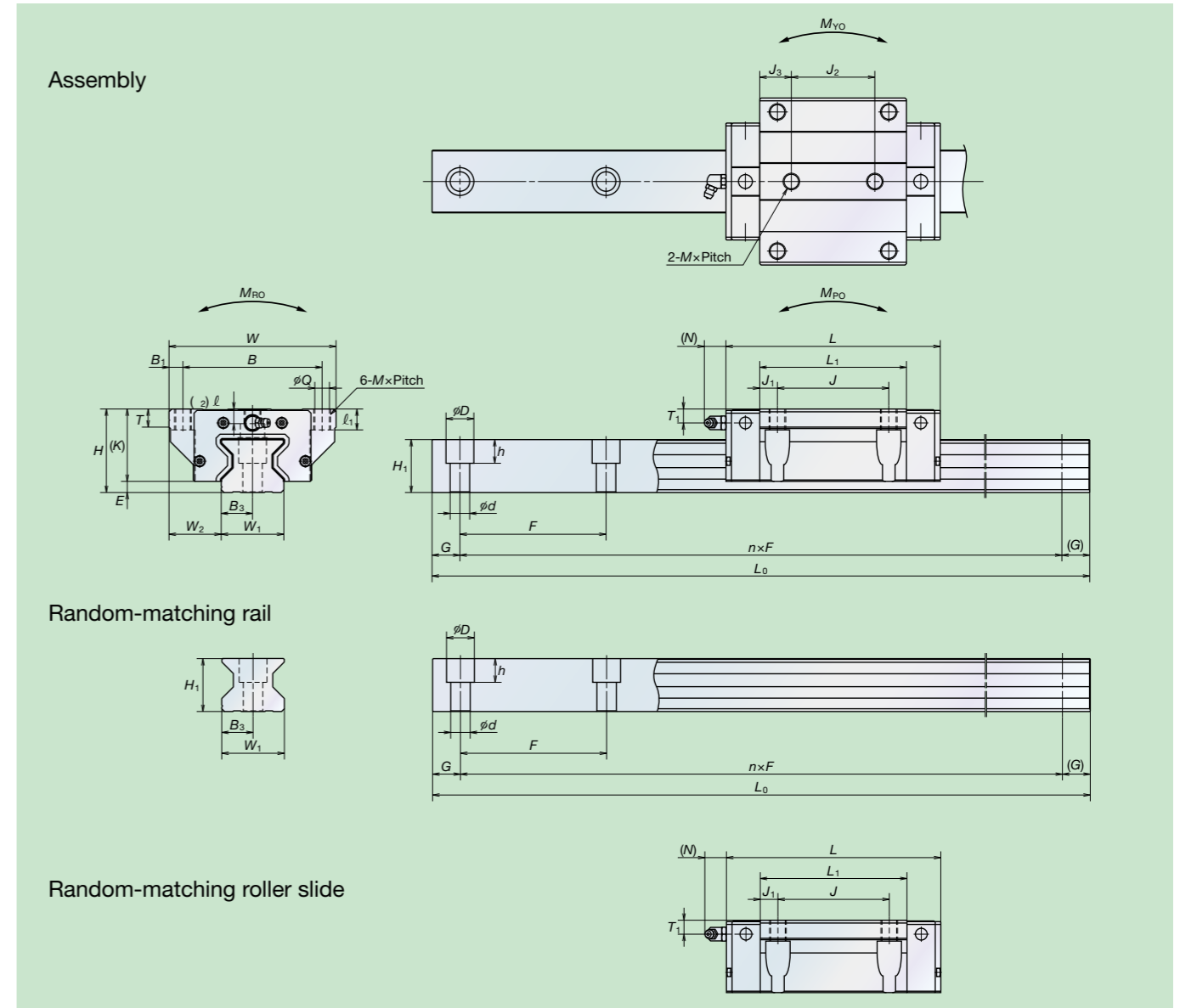
Preload code Z: Random matching with preload
Accuracy grade P6: Precision
Design serial number: **
Butting specification: N: Non-butting specification L: Butting specification

Random-matching roller slide

Example of specification number: **RAA 35 EM P6 Z - F**

RA Series random-matching roller slide code: RAA
Size No.: 35
Roller slide shape code: EM, GM

Option code: No code: No surface treatment
F: Fluoride low temperature chrome plating
C: No surface treatment + rail cover
CF: Fluoride low temperature chrome plating + rail cover
Z: Random matching with preload
Accuracy grade P6: Precision



Unit: mm

Model No.	Assembly			Roller slide													Rail										Basic load rating					Weight		
	Height H	E	W ₂	Width W	Length L	Mounting hole						B ₁	L ₁	J ₁	J ₃	K	T	Grease fitting			Rail width W ₁	Rail height H ₁	Bolt pitch F	Bolt hole d×D×h	B ₃	G (recommended)	Maximum length L _{0max}	Dynamic C (N)	Static C ₀ (N)	Static moment (N·m)			Roller slide (kg)	Rail (kg/m)
						M×Pitch×l ₁ (l ₂)	Q×l ₁ (l ₂)	M ₁	N ₁	M ₂	N ₂							M _{R0}	M _{P0}	M _{Y0}														
RA15EM RA15GM	24	4	16	47	70 85.4	38	30	26	M5×0.8×8.5 (6.5)	4.4×8.5 (6.5)	4.5	44.8 60.2	7.4 15.1	9.4 17.1	20	8	φ3	4	3	15	16.3	60 (30)	4.5×7.5×5.3	7.5	20	2 000	10 300 13 000	27 500 37 000	260 350	210 375	210 375	0.21 0.28	1.6	
RA20EM RA20GM	30	5	21.5	63	86.5 106.3	53	40	35	M6×1×9.5 (8)	5.3×9.5 (8)	5	57.5 77.3	8.75 18.65	11.25 21.15	25	10	φ3	4	3	20	20.8	60 (30)	6×9.5×8.5	10	20	3 000	19 200 24 000	52 500 70 000	665 890	505 900	505 900	0.45 0.65	2.6	
RA25EM RA25GM	36	5	23.5	70	97.5 115.5	57	45	40	M8×1.25×10 (11)	6.8×10 (11)	6.5	65.5 83.5	10.25 19.25	12.75 21.75	31	11	M6×0.75	6	11	23	24	30	7×11×9	11.5	20	3 000	29 200 35 400	72 700 92 900	970 1 240	760 1 240	760 1 240	0.80 1.1	3.4	
RA30EM RA30GM	42	6.5	31	90	110.8 135.4	72	52	44	M10×1.5×12 (12.5)	8.6×12 (12.5)	9	74 98.6	11 23.3	15 27.3	35.5	11	M6×0.75	7	11	28	28	40	9×14×12	14	20	3 500	38 900 47 600	93 500 121 000	1 670 2 170	1 140 1 950	1 140 1 950	1.3 1.7	4.9	
RA35EM RA35GM	48	6.5	33	100	123.8 152	82	62	52	M10×1.5×13 (7)	8.6×13 (7)	9	83.2 111.4	10.6 24.7	15.6 29.7	41.5	12	M6×0.75	8	11	34	31	40	9×14×12	17	20	3 500	53 300 67 400	129 000 175 000	2 810 3 810	1 800 3 250	1 800 3 250	1.7 2.3	6.8	
RA45EM RA45GM	60	8	37.5	120	154 190	100	80	60	M12×1.75×15 (10.5)	10.5×15 (10.5)	10	105.4 141.4	12.7 30.7	22.7 40.7	52	13	R _C 1/8	10	14	45	38	52.5	14×20×17	22.5	22.5	3 500	92 800 116 000	229 000 305 000	6 180 8 240	4 080 7 150	4 080 7 150	3.2 4.3	10.9	
RA55EM RA55GM	70	9	43.5	140	184 234	116	95	70	M14×2×18 (13)	12.5×18 (13)	12	128 178	16.5 41.5	29 54	61	15	R _C 1/8	11	14	53	43.5	60	16×23×20	26.5	30	3 500	129 000 168 000	330 000 462 000	10 200 14 300	7 060 13 600	7 060 13 600	5.4 7.5	14.6	
RA65EM RA65GM	90	13	53.5	170	228.4 302.5	142	110	82	M16×2×24 (18.5)	14.6×24 (18.5)	14	155.4 229.5	22.7 59.75	36.7 73.75	77	22	R _C 1/8	19	14	63	55	75	18×26×22	31.5	35	3 500	210 000 288 000	504 000 756 000	19 200 28 700	12 700 28 600	12 700 28 600	12.2 16.5	22.0	

* Select either one of two F dimensions, the standard or the parenthesized semi-standard dimensions, for the pitch of rail fixing bolt holes. If not specified, the standard dimension of F is applied.

* The random-matching type is available for the model of RA25 to RA65.

* The basic load rating complies with ISO standards (ISO14728-1, ISO14728-2). If the above basic dynamic load rating (100 km rating) is converted into 50 km rating, use the following formula: C_{50 km} = 1.23 × C_{100 km}

Worldwide Sales Offices and Manufacturing Plants

P: Phone F: Fax C: Country Code Printed in Japan

NSK LTD.-HEADQUARTERS, TOKYO, JAPAN

www.nsk.com

Nissei Bldg., 1-6-3 Ohsaki, Shinagawa-ku, Tokyo 141-8560, Japan

INDUSTRIAL MACHINERY BUSINESS DIVISION-HEADQUARTERS

P: 03-3779-7227 F: 03-3779-7644 C: 81

GLOBAL AFTERMARKET DEPARTMENT

P: 03-3779-7253 F: 03-3779-7644 C: 81

PRECISION MACHINERY DEPARTMENT

P: 03-3779-7163 F: 03-3779-7644 C: 81

MECHATRONICS BUSINESS DEPARTMENT

P: 0466-21-3027 F: 0466-21-3206 C: 81

AUTOMOTIVE BUSINESS DIVISION-HEADQUARTERS

P: 03-3779-7189 F: 03-3779-7917 C: 81

●Africa

South Africa:

NSK SOUTH AFRICA (PTY) LTD.

JOHANNESBURG 25 Galaxy Avenue, Linbro Business Park, Sandton, Gauteng, P.O. Box 1157, Kelvin, 2054, South Africa

P: 011-458-3600 F: 011-458-3608 C: 27

●Asia and Oceania

Australia:

NSK AUSTRALIA PTY. LTD. www.au.nsk.com

MELBOURNE 11 Daimore Drive, Scoresby, Victoria 3179, Australia

P: 03-9765-4400 F: 03-9764-8304 C: 61

SYDNEY 24-28 River Road West, Parramatta, New South Wales 2150, Australia

P: 02-8843-8100 F: 02-9893-8406 C: 61

BRISBANE 1/69 Selhurst Street, Coopers Plains, Queensland 4108, Australia

P: 07-3347-2600 F: 07-3345-5376 C: 61

PERTH Unit 1, 71 Tacoma Circuit, Canning Vale, Western Australia 6155, Australia

P: 08-9256-5000 F: 08-9256-1044 C: 61

China:

NSK HONG KONG LTD.

HONG KONG Suite 814, World Commerce Centre, Harbour City, T.S.T, KLN, Hong Kong, China

P: 02739-9933 F: 02739-9323 C: 852

SHENZHEN Room 624-626, 6/F, Kerry Center, Renminnan Road, Shenzhen, Guangdong, China

P: 0755-25904886 F: 0755-25904883 C: 86

KUNSHAN NSK CO., LTD.

OFFICE/PLANT 258 South Huang Pu Jiang Rd., Kunshan Economic & Technical Development Zone, Jiangsu, China (215305)

P: 0512-5771-5654 F: 0512-5771-5689 C: 86

CHANGSHU NSK NEEDLE BEARING CO., LTD.

OFFICE/PLANT No. 66 Dongnan Road, Changshu Southeast Economic Development Zone, Changshu City, Jiangsu, China (215500)

P: 0512-5230-1111 F: 0512-5230-6011 C: 86

NSK STEERING SYSTEMS DONGGUAN CO., LTD.

OFFICE/PLANT High-tech Park, Shilong Road, Guanlong Section, Dongguan, Guangdong, China (523119)

P: 0769-2262-0960 F: 0769-2316-2867 C: 86

ZHANGJIAGANG NSK PRECISION MACHINERY CO., LTD.

OFFICE/PLANT No. 34 Zhenxing Road, Zhangjiagang Economic Development Zone, Zhangjiagang City, Jiangsu, China (215600)

P: 0512-5867-6496 F: 0512-5818-0970 C: 86

SUZHOU NSK BEARINGS CO., LTD.

OFFICE/PLANT No. 22 Taishan Road, Suzhou New District, Jiangsu, China (215129)

P: 0512-6665-5666 F: 0512-6665-9138 C: 86

NSK (CHINA) RESEARCH & DEVELOPMENT CO., LTD.

JIANGSU No.8 NSK Rd., Huaqiao Economic Development Zone, Kunshan, Jiangsu, China (215332)

P: 0512-5796-3000 F: 0512-5796-3300 C: 86

NSK (SHANGHAI) TRADING CO., LTD.

HEAD OFFICE No.8 NSK Rd., Huaqiao Economic Development Zone, Kunshan, Jiangsu, China (215332)

P: 0512-5796-3000 F: 0512-5796-3300 C: 86

NSK (CHINA) INVESTMENT CO., LTD. www.cn.nsk.com

HEAD OFFICE No.8 NSK Rd., Huaqiao Economic Development Zone, Kunshan, Jiangsu, China (215332)

P: 0512-5796-3000 F: 0512-5796-3300 C: 86

BEIJING Room 2116, Beijing Fortune Bldg., 5 Dong San Huan Bei Lu, Chao Yang District, Beijing, China (100004)

P: 010-6590-8161 F: 010-6590-8166 C: 86

TIAN JIN Room 06, 09F The Exchange Tower 2, No. 189 NanJing Road, Heping District, Tianjin, China (300050)

P: 022-8319-5030 F: 022-8319-5033 C: 86

CHANGCHUN Room 1001, Building A, Zhongyin Building, 727 Xi'an Road, Changchun, Jilin, China (130061)

P: 0431-8898-8682 F: 0431-8898-8670 C: 86

SHENYANG Room 1101, China Resources Building, No. 286 Qingnian Street, Heping District, Shenyang Liaoning, China (110004)

P: 024-2334-2868 F: 024-2334-2058 C: 86

DALIAN Room 1805 Xiwang Tower, No.136 Zhongshan Road, Zhongshan District, Dalian, Liaoning, China (116001)

P: 0411-8800-8168 F: 0411-8800-8160 C: 86

NANJING A1 22F, Golden Eagle International Plaza, No.89 Hanzhong Road, Nanjing, Jiangsu, China (210029)

P:025-8472-6671 F:025-8472-6687 C:86

GUANGZHOU Room 2302, TaiKoo Hui Tower 1, No.385 Tianhe Road, Tianhe District, Guangzhou, China (510620)

P: 020-3817-7800 F: 020-3786-4501 C: 86

CHANGSHA Room 1048, 10/F, Zhongtian Plaza, No.766 WuyiRoad, Changsha, Hunan, China (410005)

P: 0731-8571-3100 F: 0731-8571-3255 C: 86

LUOYANG Room 1108, Fangda Hotel, 6 XiYuan Road, LuoYang HeNan, China (471003)

P: 0379-6069-6188 F: 0379-6069-6180 C: 86

XI'AN Room 1007, B Changan Metropolis Center88 Nanguanzheng Steet, Xi'an, Shanxi, China (710068)

P: 029-8765-1896 F: 029-8765-1895 C: 86

CHONGQING Room 2306, Unit B, No.137, Keyuan 2nd Road, Jiulongpo District, Chongqing, China (400039)

P:023-6806-5310 F:023-6806-5292 C:86

CHENGDU Room1117, Lippo Tower, No.62 North Kehua Road, Chengdu, Sichuan, China (610041)

P: 028-8528-3680 F: 028-8528-3690 C: 86

NSK CHINA SALES CO., LTD.

HEAD OFFICE No.8 NSK Rd., Huaqiao Economic Development Zone, Kunshan, Jiangsu, China (215332)

P: 0512-5796-3000 F: 0512-5796-3300 C: 86

NSK-WARNER (SHANGHAI) CO., LTD.

OFFICE/PLANT No. 2518 Huancheng Road (West) Fengxian District, Shanghai,China (201401)

P: 021-3365-5757 F: 021-3365-5262 C: 86

AKS PRECISION BALL (HANGZHOU) CO., LTD.

PLANT No. 189 Hongda Road, Xiaoshan Area of Economic & Technological Development Zone, Hangzhou, Zhejiang, China (311231)

P: 0571-2280-1288 F: 0571-2280-1268 C: 86

NSK-YAGI PRECISION FORGING (ZHANGJIAGANG) CO., LTD.

PLANT No. 34 Zhenxing Road, Zhangjiagang Economic Development Zone, Zhangjiagang City, Jiangsu, China (215600)

P:0512-5867-6496 F:0512-5818-0970 C:86

NSK-WANDA ELECTRIC POWER ASSISTED STEERING SYSTEMS CO.,LTD.

OFFICE/PLANT 1833 Yatai Road, Wenyan Town, Xiaoshan, Hangzhou, Zhejiang, China (311258)

P:0571-8231-4818 F:0571-8248-6656 C:86

SHENYANG NSK PRECISION CO., LTD.

OFFICE/PLANT No. 7 of 15 Street, Shenyang Economic & Technological Development Area, Shenyang, Liaoning, China (110141)

P: 024-2550-5017 F: 024-2532-6081 C: 86

SHENYANG NSK CO., LTD.

OFFICE/PLANT No. 5, 15 Street, Shenyang Economic & Technological Development Area, Shenyang, Liaoning, China (110141)

P: 024-2532-6080 F: 024-2532-6081 C: 86

India:

RANE NSK STEERING SYSTEMS LTD.

CHENNAI 14, Rajagopalan Salai, Vallancherry, Guduvancherry, Tamil Nadu-603 202, India

P:044-474-06017 F:044-274-66001 C:91

BAWAL Plot No.28A, Sector 6, HSIDC Growth Centre Bawal, District Rewari, Haryana -123 501, India

P:01284-264281 F:01284-264280 C:91

NSK INDIA SALES CO.PVT.LTD.

CHENNAI 6th Floor, Bannari Amman Towers, No.29 Dr. Radhakrishnan Road, Mylapore, Chennai- 600 004 Tamil Nadu, India

P:044-2847-9600 F:044-2847-9601 C:91

GURGAON 107, Park Centra, Sector-30, Opposite 32nd Milestone, NH-8, Gurgaon, Haryana-122 001, India

P:0124-4104-530 F:0124-4104-532 C:91

KOLKATA 502, Trinity Towers, 83, Topsia Road, Kolkata-700 046, India

P:033-4001-2062 F:033-4001-2064 C:91

MUMBAI 321, A Wing, Ahura Centre, 82, Mahakali Caves Road, Andheri East, Mumbai -400 093, India

P:022-2838-7787 F:022-2838-5191 C:91

NSK-ABC BEARINGS LTD.

OFFICE/PLANT Plot No.A2, SIPCOT Growth Centre, Oragadam, Mathur Village, Sriperumbudur Taluk, Kancheepuram District, Tamil Nadu-602 105, India

P:044-2714-3000 F:044-2714-3099 C:91

Indonesia:

PT. NSK BEARINGS MANUFACTURING INDONESIA

JAKARTA PLANT Blok M4, Kawasan Berikat MM2100 Industrial Town Cikarang Barat, Bekasi 17520, Indonesia

P: 021-898-0155 F: 021-898-0156 C: 62

PT. NSK INDONESIA www.id.nsk.com

JAKARTA Summitmas II, 6th Floor, Jl. Jend Sudirman Kav. 61-62, Jakarta 12190, Indonesia

P: 021-252-3458 F: 021-252-3223 C: 62

PT. NSK-WARNER INDONESIA

BEKASI MM2100 Industrial Town, Cikarang Barat, Bekasi 17520, Indonesia

P: 021-8998-3216 F: 021-8998-3218 C: 62

Korea: NSK KOREA CO., LTD. www.kr.nsk.com

SEOUL Posco Center (West Wing) 9F, 892, Daechi-4Dong, Kangnam-Ku, Seoul, 135-777, Korea

P: 02-3287-0300 F: 02-3287-0345 C: 82

CHANGWON 60, Seongsan-Dong, Changwon, Kyungsangnam-Do, 642-315, Korea

P: 055-287-6001 F: 055-285-9982 C: 82

Malaysia:

NSK BEARINGS (MALAYSIA) SDN. BHD. www.my.nsk.com

HEAD OFFICE No. 2, Jalan Pemaju, U1/15, Seksyen U1, Hicom Glenmarie Industrial Park, 40150 Shah Alam, Selangor, Malaysia

P: 03-7803-8859 F: 03-7806-5982 C: 60

PRAI No.36, Jalan kikik, Taman Inderawasih, 13600 Prai, Penang, Malaysia

P: 04-3902275 F: 04-3991830 C: 60

JOHOR BAHRU 88 Jalan Ros Merah 2/17, Taman Johor Jaya, 81100 Johor Bahru, Johor, Malaysia

P: 07-3546290 F: 07-3546291 C: 60

IPOH Gr. Floor, 89 Jalan Bendahara, 31650 Ipoh, Perak, Malaysia

P: 05-2555000 F: 05-2553373 C: 60

NSK MICRO PRECISION (M) SDN. BHD. www.my.nsk.com

MALAYSIA PLANT No.43 Jalan Taming Dua, Taman Taming Jaya 43300 BataKong, Selangor Darul Ehsan, Malaysia

P: 03-8961-3960 F: 03-8961-3968 C: 60

New Zealand: NSK NEW ZEALAND LTD. www.nz.nsk.com

AUCKLAND 3 Te Apunga Place, Mt. Wellington, Auckland, New Zealand

P: 09-276-4992 F: 09-276-4082 C: 64

Philippines:

NSK REPRESENTATIVE OFFICE

MANILA 8th Floor The Salcedo Towers 169 H.V. dela Costa St., Salcedo Village Makati City, Philippines 1227

P: 02-893-9543 F: 02-893-9173 C: 63

Singapore:

NSK INTERNATIONAL (SINGAPORE) PTE LTD.

SINGAPORE 238A, Thomson Road, #24-01/05, Novena Square Tower A, Singapore 307684

P: 6496-8000 F: 6250-5845 C: 65

NSK SINGAPORE (PRIVATE) LTD. www.nsk-singapore.com.sg

SINGAPORE 238A, Thomson Road, #24-01/05, Novena Square Tower A, Singapore 307684

P: 6496-8000 F: 6250-5845 C: 65

Worldwide Sales Offices and Manufacturing Plants

P: Phone F: Fax C: Country Code Printed in Japan

Taiwan:

TAIWAN NSK PRECISION CO., LTD.

TAIPEI 11F., No.87, Song Jiang Rd., Jhongshan District, Taipei City 104, Taiwan R.O.C.

P: 02-2509-3305 F: 02-2509-1393 C: 886

TAICHUNG 107-7, Sec. 3, Wen Xing Rd., Taichung City 407, Taiwan R.O.C.

P: 04-2311-7978 F: 04-2311-2627 C: 886

TAINAN No.8 Daye 1st Rd., Southern Taiwan Science Park, Tainan County 741, Taiwan R.O.C.

P: 06-505-5861 F: 06-505-5061 C: 886

TAIWAN NSK TECHNOLOGY CO., LTD.

TAIPEI 11F., No. 87, Songjiang Rd., Jhongshan District, Taipei City 104, Taiwan R.O.C.

P: 02-2509-3305 F: 02-2509-1393 C: 886

TAICHUNG 10F-3, No.123, Sec.3, Junggang Rd., Taichung 407, Taiwan R.O.C.

P: 04-2358-2945 F: 04-2358-7682 C: 886

TAINAN 5F, No.8, Daye 1st Rd., Southern Taiwan Science Park, Tainan County 741, Taiwan R.O.C.

P: 06-505-5861 F: 06-505-5061 C: 886

Thailand:

NSK BEARINGS (THAILAND) CO.,LTD.

BANGKOK 26 Soi On-Nuch 55/1 Pravat District, Bangkok 10250, Thailand

P: 02320-2555 F: 02320-2826 C: 66

NSK BEARINGS MANUFACTURING (THAILAND) CO., LTD.

OFFICE/PLANT 700/430 Moo 7, Amata Nakorn Industrial Estate, T.Donhualor, A.Muangchonburi, Chonburi 20000, Thailand

P: 038-454-010 F: 038-454-017 C: 66

SIAM NSK STEERING SYSTEMS CO., LTD.



NSK used environmentally friendly paper and printing methods for this publication.

CAT. No.E3328g 2012 A-3 Printed in Japan ©NSK Ltd. 2003